

Push Button

SPB19-FR2-65x-xxx

Description

Panel mounted Push buttons are used in a wide variety of applications and can be executed (without) LED lights and with a latching or momentary contact.



Features

| Mechanical Properties | Description |
|-----------------------|---|
| Switch Operations | Momentary, Latching |
| Working temperature | -30 °C ~ + 85 °C |
| Operation Force | 3N – 4,5 N |
| Button Surface | Flat |
| Configuration | 1NO1NC |
| Illumination | Ring illumination |
| Terminal | Solder Terminals |
| Diameter | 19 mm |
| Dimension | According to drawing |
| Protection Grade | IP65 / IK10 |
| Mechanical lifecycles | 500.000 times momentary 200.000 times latching |
| Material | Stainless steel , Aluminum oxide brass nickel-plated, Brass chrome-plated |
| Mounting | Panel Mounting |

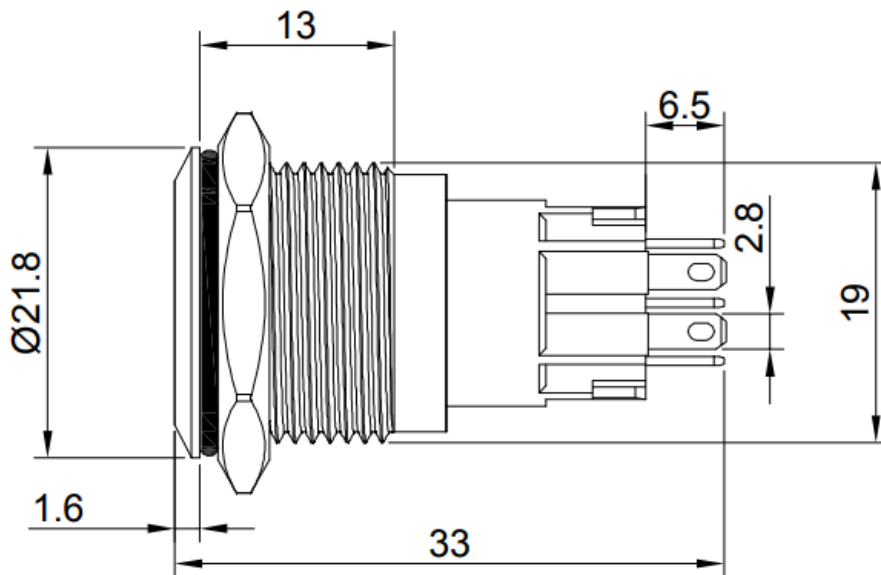
Push Button

SPB19-FR2-65x-xxx

| Electrical Properties | Description |
|-----------------------|--|
| Switch rating | 5A/250VAC |
| LED | Included, common Anode/Cathode |
| LED Color | Green, Blue, Red, White, Yellow, RGB or a combination of colours |
| LED Voltage | 3 V – 220 V |
| LED Current | 3mA – 20mA |
| LED Life | 40.000 hours |

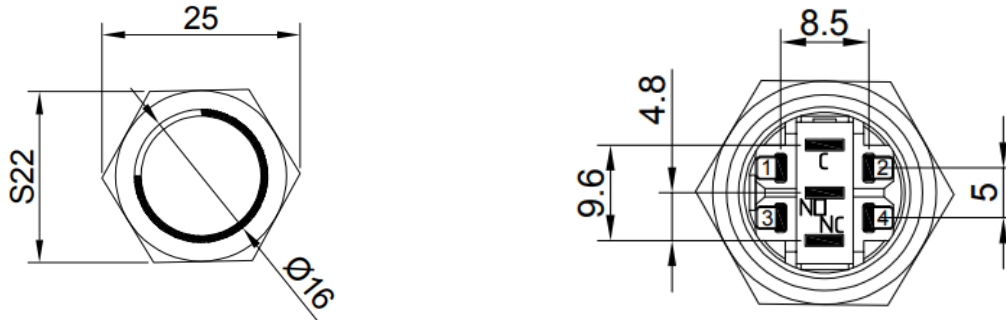
Dimensions

*unit: mm



Push Button

SPB19-FR2-65x-xxx



Ordering information

Ordering can be done via www.summit-electronics.com or via info@summit-electronics.com. Please contact us for more information. Customisation of the product is available on request.

Technical support

For all product questions please contact us via info@summit-electronics.com

Document revision

| Rev | Date | changes |
|--------|------------|-------------------------|
| V01.00 | 23-12-2024 | First issue of document |